



**ROUSSELET**  
**ROBATEL**

## CONTINUOUS CENTRIFUGAL HYDRO EXTRACTORS

FOR LOOSE STOCK TEXTILE FIBERS  
"SCPC-TE" TYPE



### PRODUCTIVITY AND QUALITY

- 1 - PRODUCTION** : Feeding and discharging of fibres in a continuous way, allowing the greatest possible throughput.
- 2 - SPACE OPTIMISATION** : A compact unit, the SCPC-TE requires only a small area and due to its closed, continuous process, the usual working environment of a hydro-extractor can be simplified.
- 3 - CONSISTENT EXTRACTION** : By operating on thin layers of fibres, the centrifuge enables us to obtain a uniform remaining moisture content.
- 4 - LIMITED MAINTENANCE** : The spare parts are infrequently required because imbalance is kept to a minimum, due to a regular feed into the rotating basket, and because individual starts and stops are significantly reduced.
- 5 - FIBRE QUALITY** :  
By working on a thin layer of fibres and utilising discharge by the top ejection principle, a good separation is achieved between the fibres, thus allowing them to be opened and efficiently dried,
  - The transit time in the dryer is greatly reduced and can be reduced further with some synthetic fibres.
  - The quality of later treatments of the fibres is significantly improved.
  - It allows very important energy savings

### APPLICATIONS :

- natural and synthetic fibres after dyeing,
- wool in the washing, carbonising and fell-mongering industries,
- cotton after bleaching, absorbent cotton,...

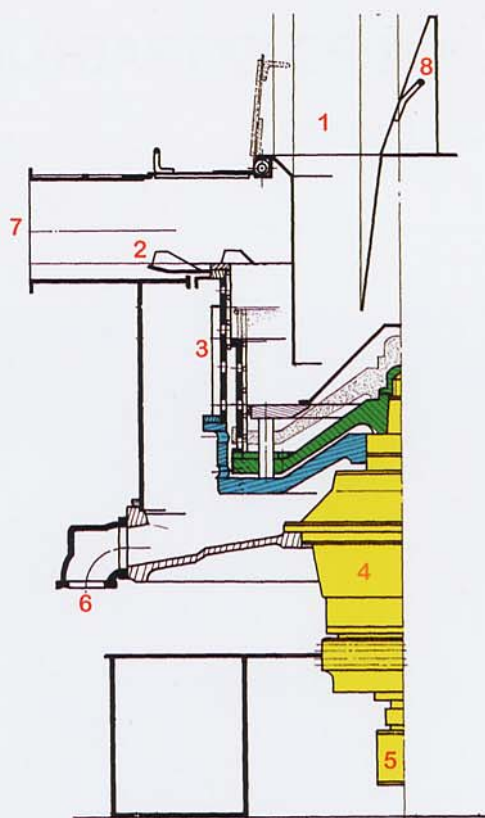
T  
E  
X  
T  
I  
L  
E

T4

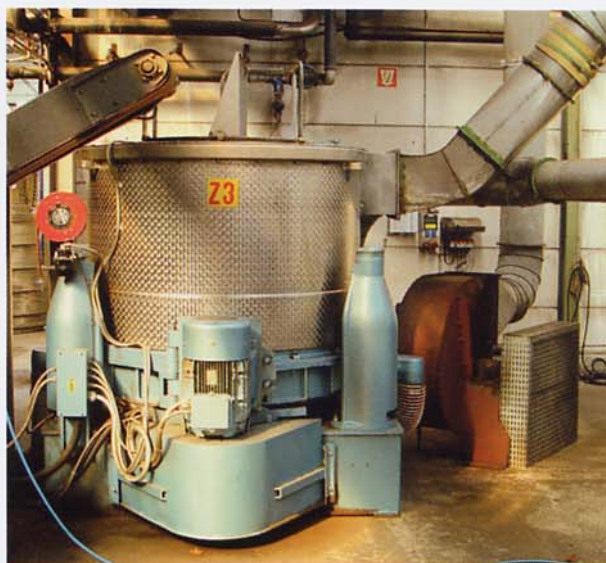
## OPERATION PRINCIPLE :

The inside of the double step basket is equipped with vertical slotted griddles. The down step works as a pusher and has an alternate up and down motion via an hydraulic device. Thus the material to be treated which is continuously introduced into the basket in rotation pushes the already centrifuged product according to the pusher frequency and stroke.

The fibres outlet is tangentially done by means of a crown placed on the basket top part.



1. Fibres feeding
2. Blow out fan
3. Basket with slots
4. Bearing housing
5. Rotary seal
6. Draining
7. Fibres outlet
8. Inlet for finishing products (option)



## OPTIONAL EQUIPMENT :

- An all stainless steel version is available when dealing with corrosive products (such as the carbonising industry).
- Full opening of the lid for complete access to the basket and allowing quick and easy cleaning when necessary.
- Selection of the aperture size of the filtering medium which can be adapted to suit the required fibres dimensions (e.g. in the flock industry we have a very small gap in the filtering media, whereas in the wool fibre industry we have a larger gap).
- Speed variation by hydrostatic transmission or via a frequency inverter.

target :Optimise liquid extraction in the full respect of relevant fibre structure.

TYPE	Basket Ø (mm)	Basket speed (rpm)	Motors power (Kw)		Dimensions L x w x h (mm)	Total weight (kg)	Hourly outputs in dry weight (kg)		
			Centrifuge	Hydraulic unit			Synthetics	Wool	Cotton
SCPC120TE	900	950	15	4	2,100x1,930x2,500	3060	1000 →1600	800 →1200	450 →700
SCPC150TE	1200	850	30	11	2,750x2,320x2,740	5920	1400 →2000	1200 →1800	700 →1200

As one of the world leaders in centrifugal extraction, Rousselet Robatel offers distinct ranges of centrifuges for various industries :  
textile, chemicals and pharmaceuticals, metal working, food industry...

## ROUSSELET CENTRIFUGATION SA

Headquarters :

ROUSSELET CENTRIFUGATION SA



Av. Rhin et Danube  
PAE de Marenton  
07104 ANNONAY - FRANCE



+33 (0) 4 75 69 22 11



+33 (0) 4 75 67 69 80

Great Britain :

ROUSSELET / ROBATEL U.K Ltd

Parkside House, 17 East Parade  
HARROGATE  
NORTH YORKSHIRE HG 1 5LF

+44 (0) 1 423 530 093

+44 (0) 1 423 530 120

Germany :

ROUSSELET CENTRIFUGATION

Hauptstraße 20  
D 71093 WEIL IM SCHÖNBACH

+49 (0) 7157 62881

+49 (0) 7157 63232

U.S.A. :

ROBATEL Inc.

703 West Housatonic Street  
PITTSFIELD  
MA 01201

+1 413 499 4818

+1 413 499 5648

E-mail rousselet.sa@rousselet.com

sales@rousselet\_robotel.co.uk

rousselet@t-online.de

sales@robotel.com

Web [www.rousselet.com](http://www.rousselet.com)