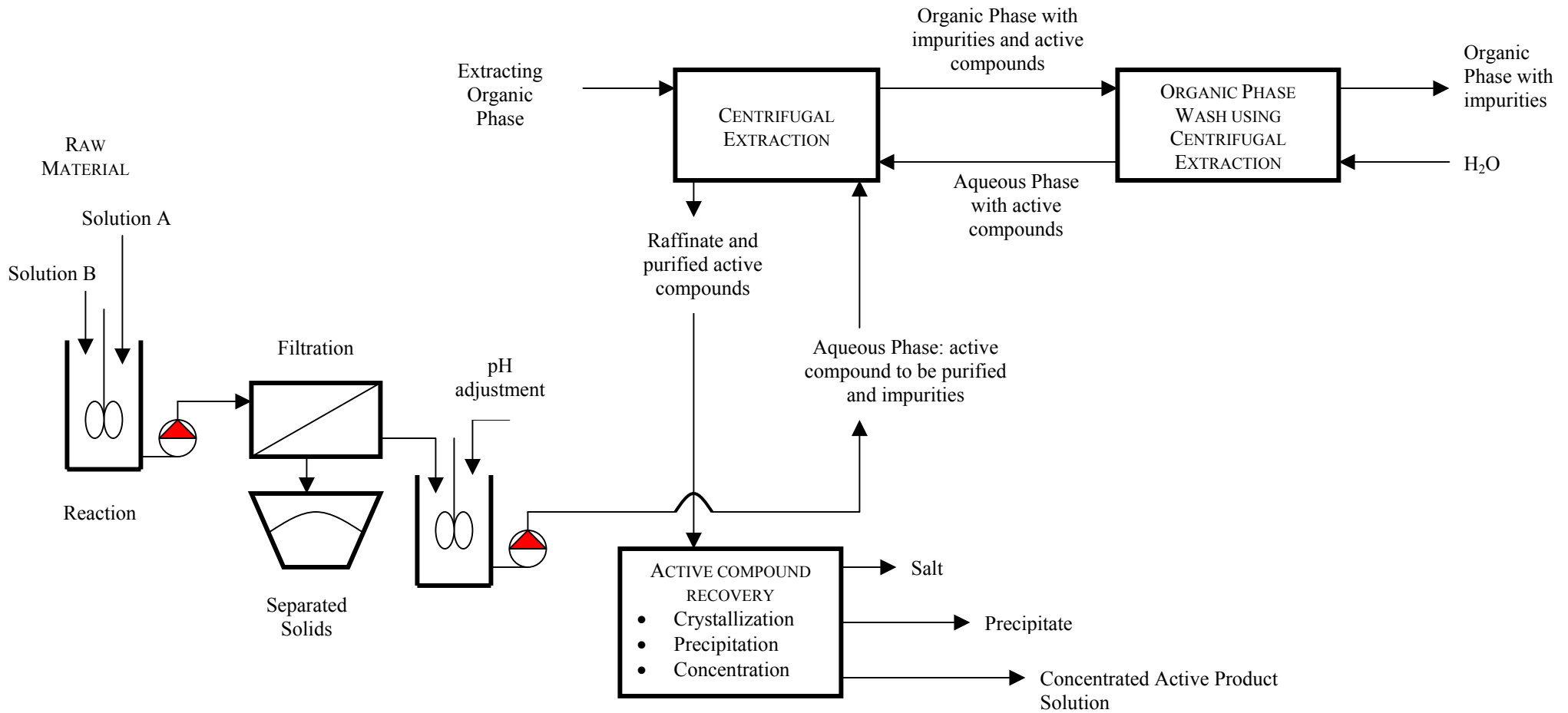


LIQUID-LIQUID EXTRACTION
PHARMACEUTICAL PRODUCT SCHEMATIC



- According to observed operating conditions, up to 99.95% of impurities are extracted (for an initial concentration of impurities of 10g/l)
- Total flowrate of the two phases that can be processed ranges from 2 liters/hour (laboratory scale) to 80 M³/hour (production scale)