



## *CENTRIFUGAL HYDRO-EXTRACTOR*

*With Removable Basket Type RC KG for  
Hot-Dip Galvanizing, Hot-Dip Tinning*



*RC 60 Vx KG with automated removable basket  
Application: Hot-Dip Galvanizing*

### **OPERATION:**

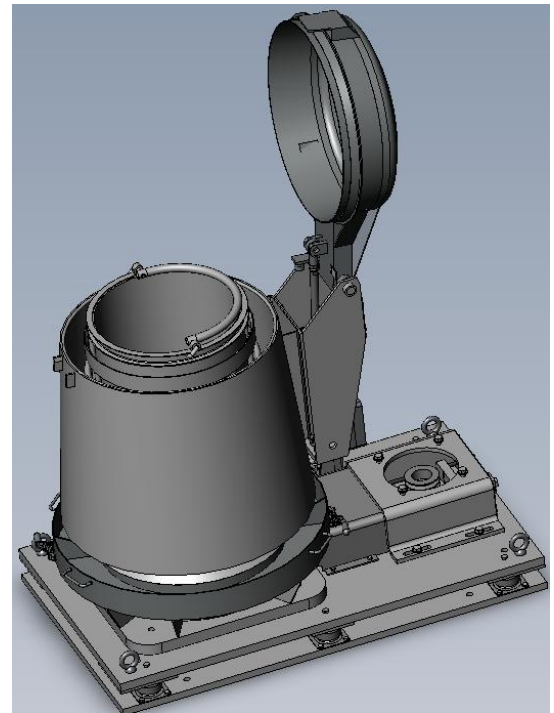
- ✓ *Hydro-extractor with removable basket*
- ✓ *To reduce operating time, the drying operation is immediately started by the locking of the lid*
- ✓ *The excess material is removed through the bottom of the centrifuge*

## GENERAL CHARACTERISTICS

- Rigid construction
- Removable Basket
- Driven by side-mounted motor
- Automatic brake or brake motor
- Locking of lid when basket is at zero speed
- All safety devices are according to European or US standards

## OPTIONS

- Pneumatic lid opening
- Two speed motor
- Special designs available on request



## TECHNICAL DATA

Types	RPM	Basket				Number of cycles per hour	Motor Power	Weight of the centrifuge
		Diameter	Height	Useful Volume	Max. Load			
		mm	mm	dm <sup>3</sup>	kg		kW	kg
RC 40 KG	1000	360	300	30	30	6/7	0,75	160
RC 50 KG	500	400	400	60	60	5/6	1,5	300
RC 60 KG	400	500	500	80	80	4/5	1,85	770

*These specifications can be modified upon request*

*Thanks to our extensive experience and specialization in the design and manufacturing of centrifuges and to the diversity of industrial sectors that we serve and the respective specific requirements, and due to our wide range of equipment, ROUSSELET ROBATEL is your preferred partner for any standard or special need that centrifugation can address.*




ROUSSELET CENTRIFUGATION SA  
ROUSSELET ROBATEL

United States  
ROUSSELET ROBATEL

United Kingdom  
ROUSSELET ROBATEL UK Ltd

Germany  
ROUSSELET ROBATEL

Czech Republic  
ROUSSELET ROBATEL


 45 Avenue Rhin et Danube  
07104 Annonay - France

703 West Housatonic Street  
Pittsfield, MA 01201

Parkside House, 17 East Parade  
Harrogate North Yorkshire HG1 5LF

Im Forstgarten 5A  
D-66459 Kirkel - Saar

Pocčernická 96  
CZ - 108 00 Praha 10


 +33 (0) 4 75 69 22 11

+1 413 499 4818

+44 (0) 1 423 530 093

+49 (0) 6849 60 99 56

+420 296 411 402

 +33 (0) 4 75 67 69 80

+1 413 499 5648

+44 (0) 1 423 530 120

+49 (0) 6849 60 99 57

+420 296 411 403

E-mail [rousselet.sa@rousselet.com](mailto:rousselet.sa@rousselet.com)

[sales@robotel.com](mailto:sales@robotel.com)

[sales@rousselet-robotel.co.uk](mailto:sales@rousselet-robotel.co.uk)

[rousselet@t-online.de](mailto:rousselet@t-online.de)

[info@rousselet.cz](mailto:info@rousselet.cz)

Web

[www.rousselet-robotel.com](http://www.rousselet-robotel.com)

[www.rousselet.cz](http://www.rousselet.cz)