

VERTICAL FILTERING TILTING CENTRIFUGE TYPE RC 60 RIAL



KEY FEATURES OF RC 60 RIAL CENTRIFUGE



EASE OF USE AND INSTALLATION

- Robust and mechanically proven, all stainless steel construction.
- Easy to maintain.
- Adaptable to many products that are fragile (with specially designed basket sidewalls).



PRODUCTIVITY

- Heavy duty use up to 50-60 cycles/hour.
- Capacity: 50 L / 80 kg depending on the product.



CLEANABILITY

- Its cleanability is excellent.
- Clean in place system.
- Easy inspection between casing and basket.
- Perfectly adapted to the multiproduct processing.

This tipping centrifuge was designed by ROUSSELET ROBATEL to drain salad, vegetables and other food products. This model is a more economical alternative to the RCPC type continuous centrifuge.

GENERAL DESIGN OF RC 60 RIAL CENTRIFUGE

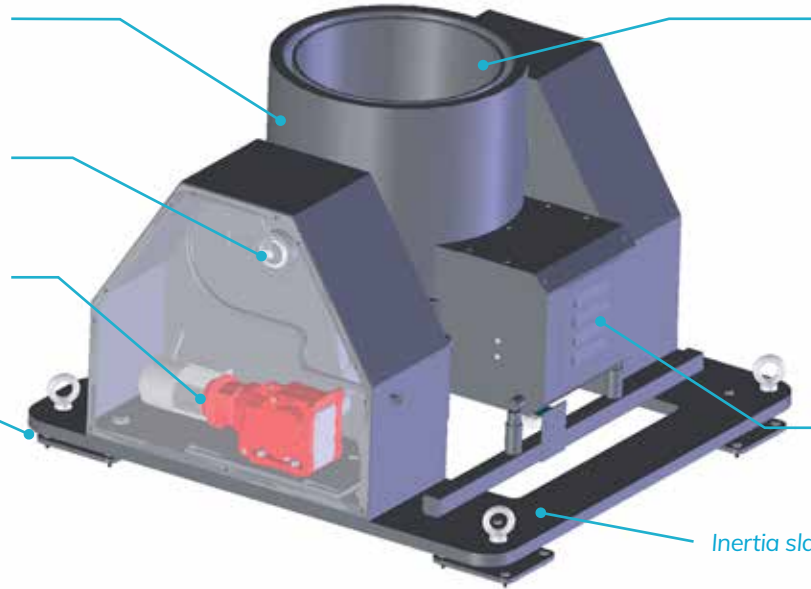
CONSTRUCTION All the parts in contact with product are manufactured from stainless steel AISI 316.

Outer shell forming frame, made from stainless steel, articulated on centrifuge support.

Tilting axis for articulation at 180° to authorize a full over tipping.

Gear motor with the chain transmission for tilting control.

Shock-absorber



Basket manufactured from stainless steel with perforation Ø 2 mm or a wedge wire screen.



Drive motor with anti-static belt transmission.

Inertia slab with smoothed angles.

OPERATION:

- **Feeding:** With the casing in the vertical position, the centrifuge receives the product from an overhead conveyor, or feeding chute, etc. The basket is at a slow rotational speed to ensure uniform product distribution.

- **Hydroextraction:** When the feeding step is completed, the basket speed is increased to a preset value.

- **Product discharge:** Once basket rotation has stopped, the casing assembly and basket overturn 180° such that the product is discharged by gravity. The assembly returns to the vertical position and a new cycle can begin. The RC60RIAL can also be used for semi-automatic service: The operator triggers the overturning and the product is recovered in a bin, which eliminates the need for manually removing the product.



TECHNICAL CHARACTERISTICS

TYPE	Basket				Centrifuge		
	Ø mm	Height mm	Volume L	Max. Load kg	Max. speed rpm	Motor power kW	Weight kg
RC 60 RIAL	600	350	50	80	500	3	950

HEADQUARTERS

ROUSSELET ROBATEL
45 Avenue Rhin et Danube
Parc d'activité économique de Marenton
07104 ANNONAY - FRANCE
Tel. : +33 (0)4 75 69 22 11
E-mail : info@rousselet-robatel.com

UK

Rousselet UK Ltd
Parkside House, 17 East Parade
HARROGATE
NORTH YORKSHIRE HG1 5LF
Tel : + 44 (0)1 423 530 093
E-mail : info@rousselet-robatel.com

ARRGOS GmbH

Max-Eyth-Str. 1
D-71691 Freiberg a.N.
Tel : +49(0)7 7229 20
Fax : + 0)173 757 6226
Email : nicolas.kiehl@arrgos.de

USA

Robatel Inc.
703 West Housatonic Street
PITTSFIELD
MA 01201
Tel : + 1 413 499 4818
E-mail : sales@rrr-centrifuge.com